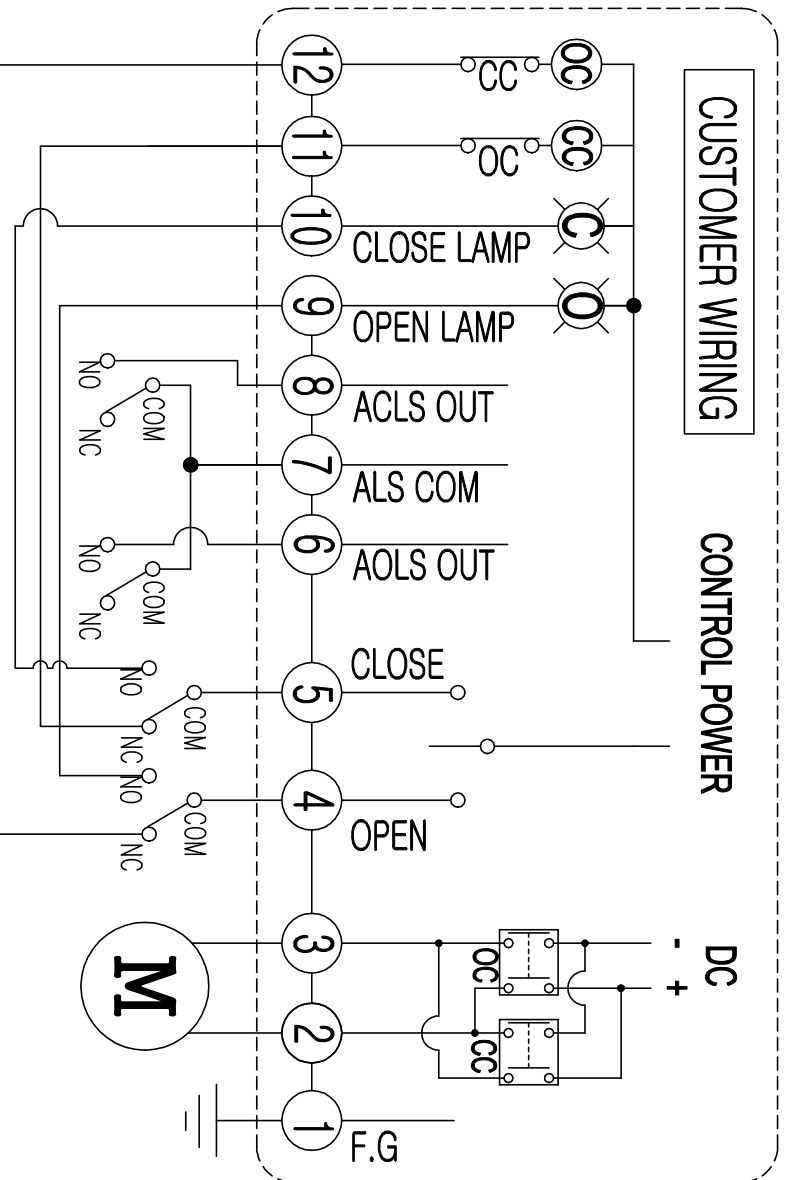
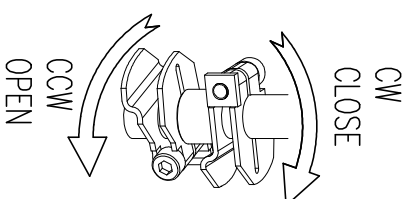
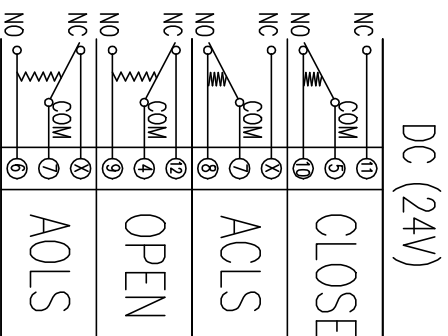


# Electric Actuator / Wiring / KP010

## LIMIT SWITCH OPERATION

SWITCH	CLOSE	INTERMEDIATE	OPEN
CLS COM-NC	█	█	█
CLS COM-NO	█	█	█
ACLS COM-NC	█	█	█
ACLS COM-NO	█	█	█
OLS COM-NC	█	█	█
OLS COM-NO	█	█	█
AOLS COM-NC	█	█	█
AOLS COM-NO	█	█	█

## SWITCH WIRING (Position : FULL CLOSE)



CLS : CLOSE LIMIT SWITCH (250VAC , 30VDC 5A)  
 OLS : OPEN LIMIT SWITCH (250VAC , 30VDC 5A)  
 ACLS : AUX. CLOSE LIMIT SWITCH (250VAC , 30VDC 5A)  
 AOLS : AUX. OPEN LIMIT SWITCH (250VAC , 30VDC 5A)



**CAUTION**  
 EACH ACTUATOR SHOULD BE POWERED THROUGH IT'S OWN INDIVIDUAL SWITCH OR RELAY CONTACTS TO PREVENT CROSS FEED BETWEEN TWO OR MORE ACTUATOR.

REV.No.	DRAWN / DATE	APPROVED / DATE
Rocky / 16.10.21	PSKIM / 16.10.21	

**PRODUCT NAME :** **KOSAPLUS**  
 Electric Actuator <http://www.kosaplus.com>  
**DRAWING NO.** KP010 DC24V ON/OFF **REV. 0**