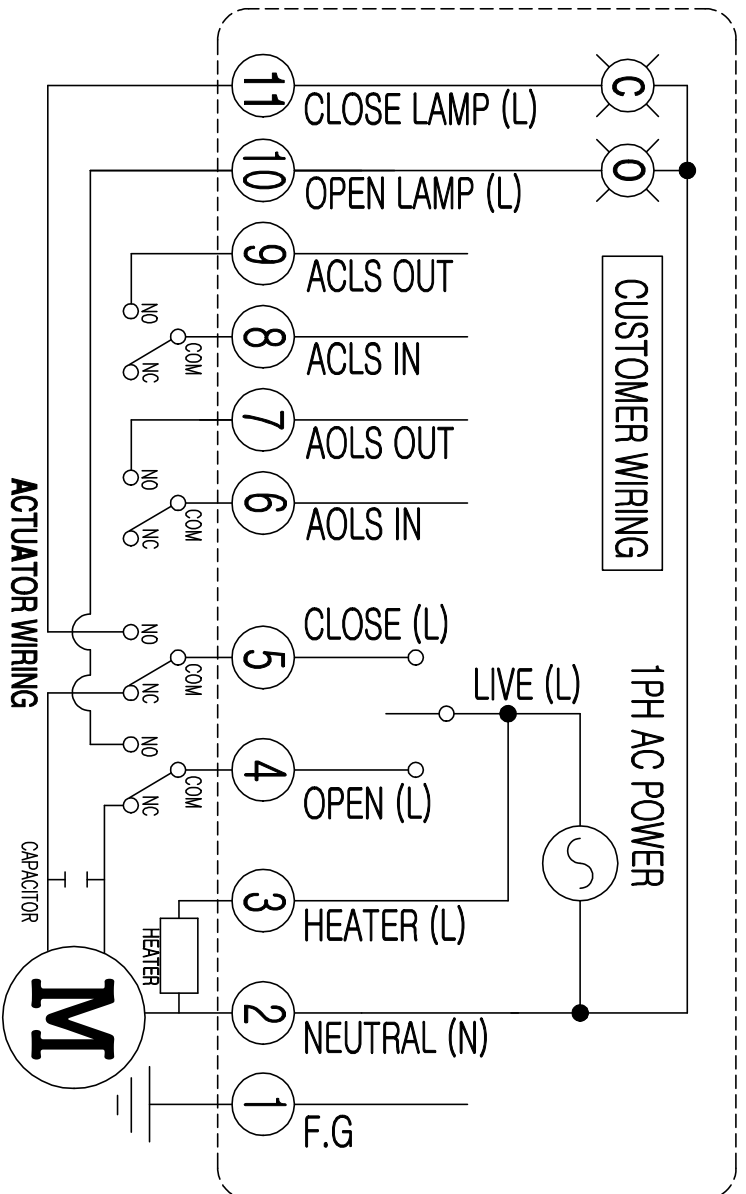


Electric Actuator / Wiring / KP010



CIS : CLOSE LIMIT SWITCH (250VAC , 30VDC 5A)
 OIS : OPEN LIMIT SWITCH (250VAC , 30VDC 5A)
 ACIS : AUX. CLOSE LIMIT SWITCH (250VAC , 30VDC 5A)
 AOIS : AUX. OPEN LIMIT SWITCH (250VAC , 30VDC 5A)

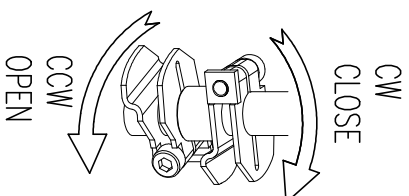
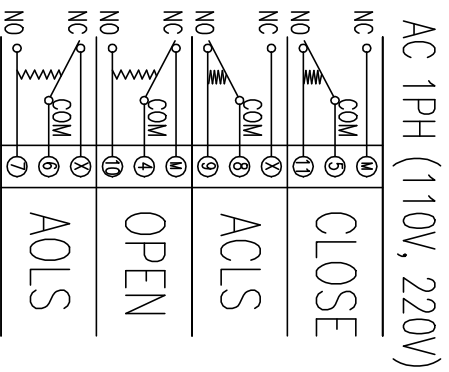
CAUTION

EACH ACTUATOR SHOULD BE POWERED THROUGH IT'S OWN INDIVIDUAL SWITCH OR RELAY CONTACTS TO PREVENT CROSS FEED BETWEEN TWO OR MORE ACTUATOR.

LIMIT SWITCH OPERATION

SWITCH	CLOSE	INTERMEDIATE	OPEN
CIS COM-NC	█	█	█
OIS COM-NO	█	█	█
ACIS COM-NC	█	█	█
AOIS COM-NO	█	█	█
OIS COM-NC	█	█	█
OIS COM-NO	█	█	█
AOLS COM-NC	█	█	█
AOLS COM-NO	█	█	█

SWITCH WIRING (Position : FULL CLOSE)



REV.No.	DRAWN / DATE	APPROVED / DATE
△	Rocky / 16.10.21	PSKIM / 16.10.21

PRODUCT NAME :

Electric Actuator

KOSAPLUS
<http://www.kosaplus.com>

TITLE :

KP010 1Ph AC ON/OFF

REV. 0