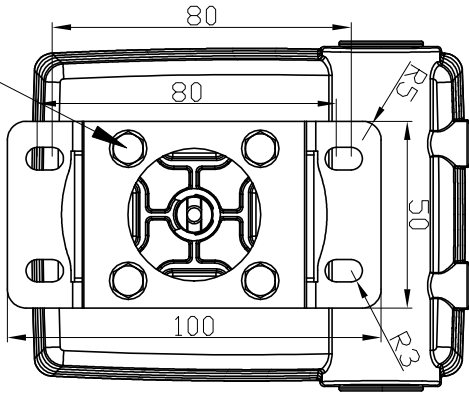
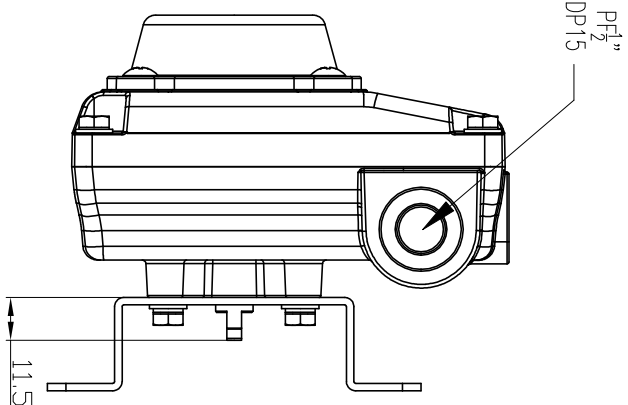
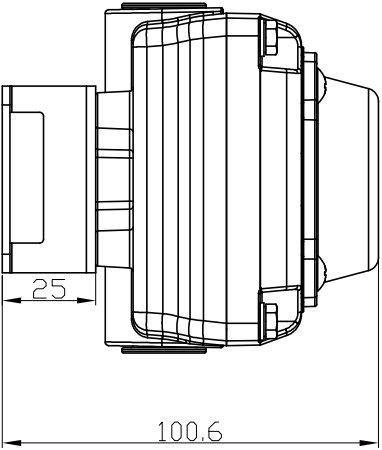
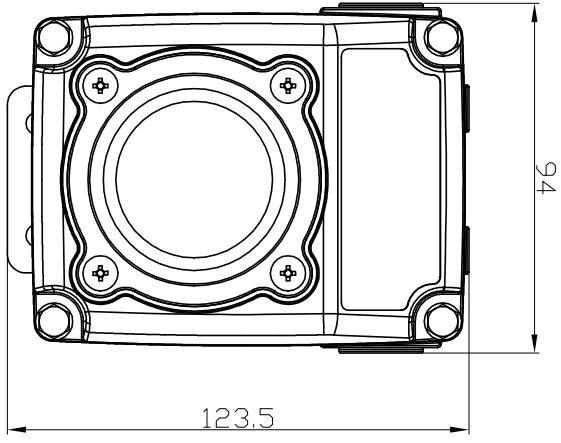


# KLS10 + BS2 / Dimension

REV. NO.	REVISION DESCRIPTION	DRAWN / DATE	APPROVED / DATE
△	최초작성	노환기 / 170928	
△			



F05 / M5 TAP DP10

KOSAPLUS Co., Ltd	
KORSA	
TITLE KLS10 + BS2 Dimension	
DRAWING NO. KLS10-0002	REV. 0