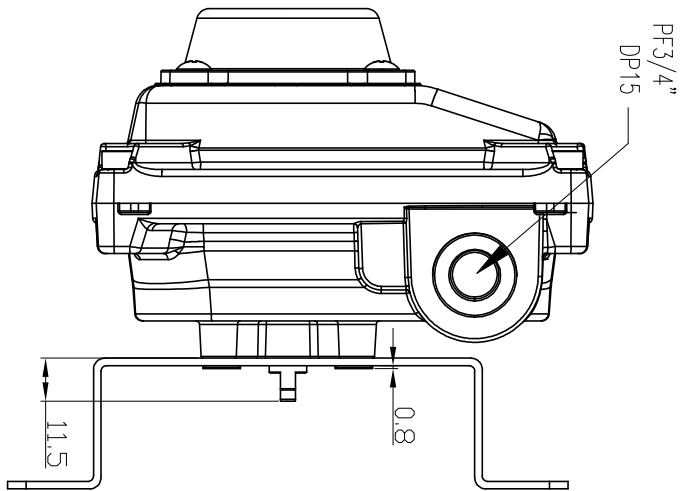
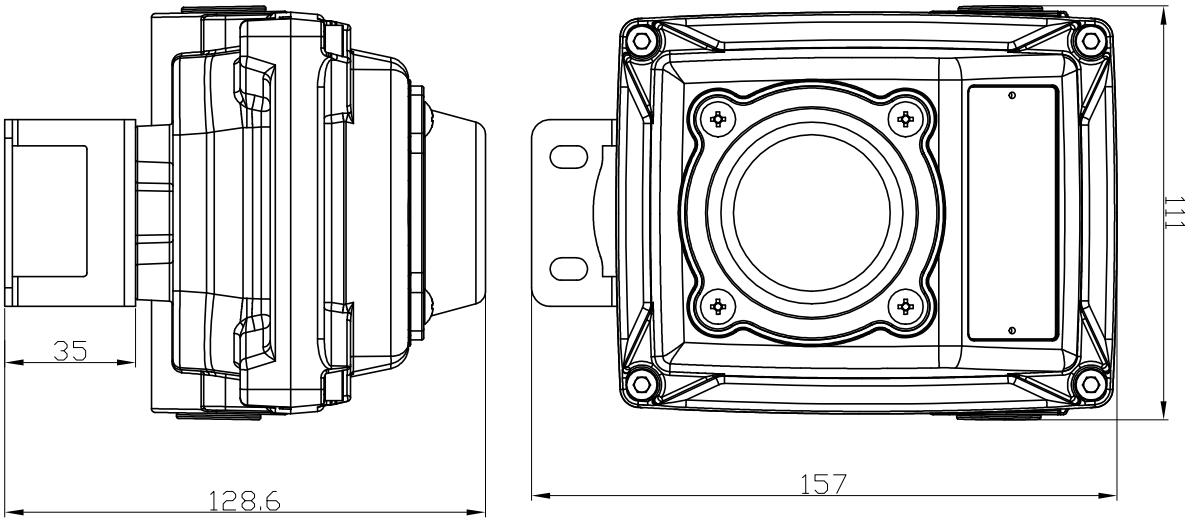
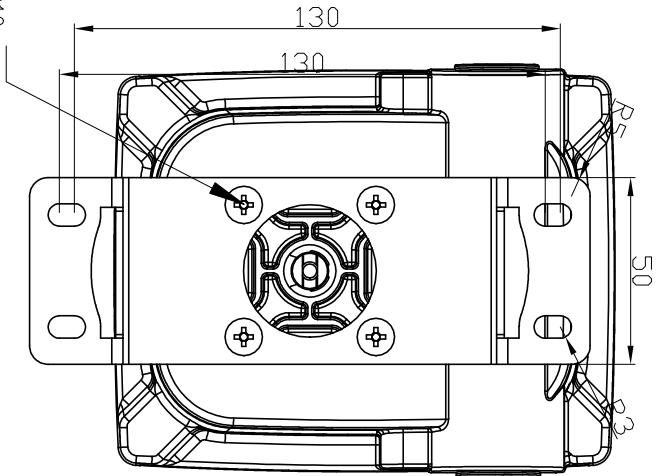


KLS20 + BS3 / Dimension



F05/M5 TAP DP10



REV. NO.	REVISION DESCRIPTION	DRAWN / DATE	APPROVED / DATE
△	최초작성	노한기 / 2005.15	
△			

KOSAPLUS Co.,Ltd	
KOSAPLUS	
TITLE KLS20 + BS3 Dimension	
DRAWING NO.	REV.
KLS10-0003	0