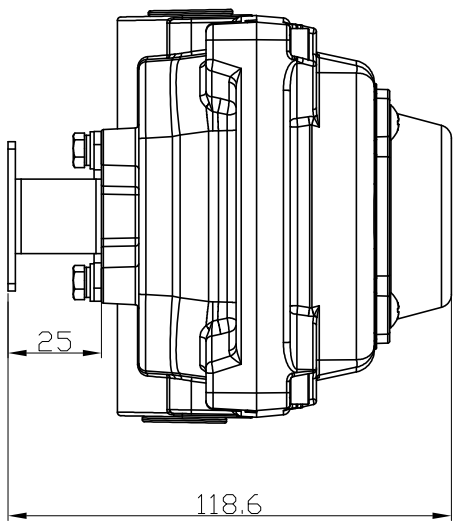
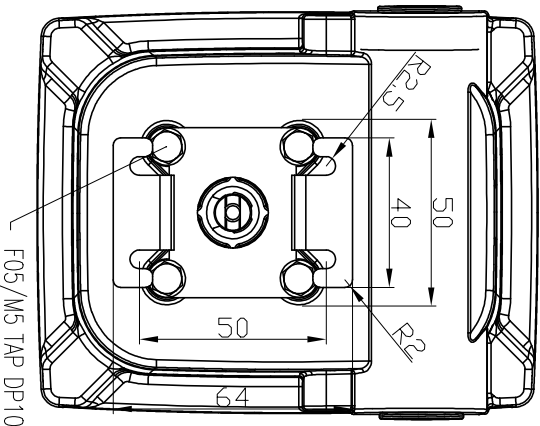
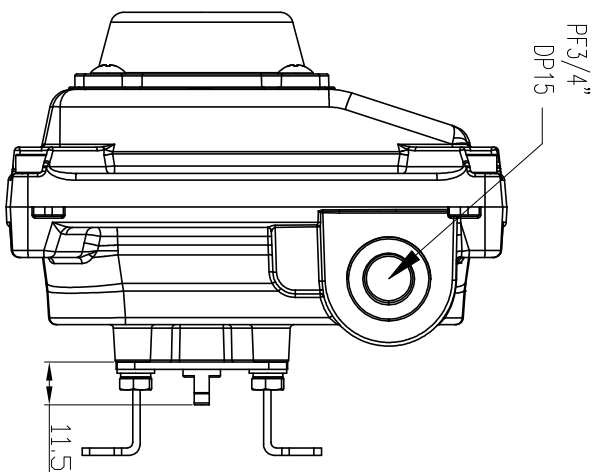
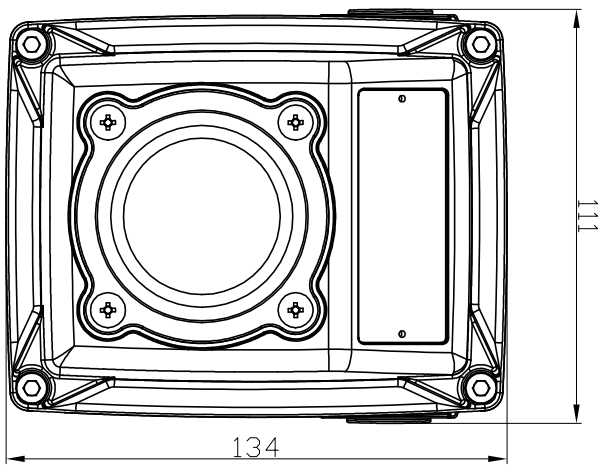


# KLS20 + BS1 / Dimension



REV. NO.	REVISION DESCRIPTION	DRAWN / DATE	APPROVED / DATE
△	최초작성	노한기 / 2005.15	
△			

KOSAPLUS Co.,Ltd	
KLS20 + BS1 Dimension	
DRAWING NO.	REV.
KLS20-0001	0