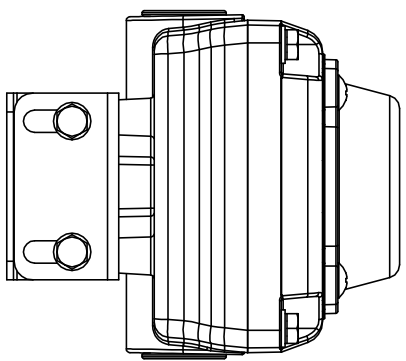
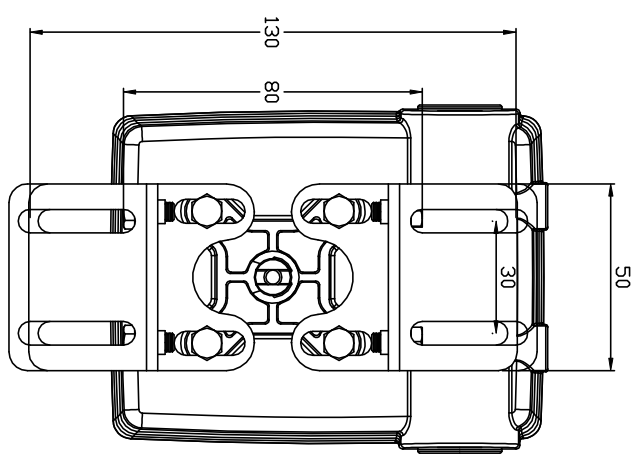
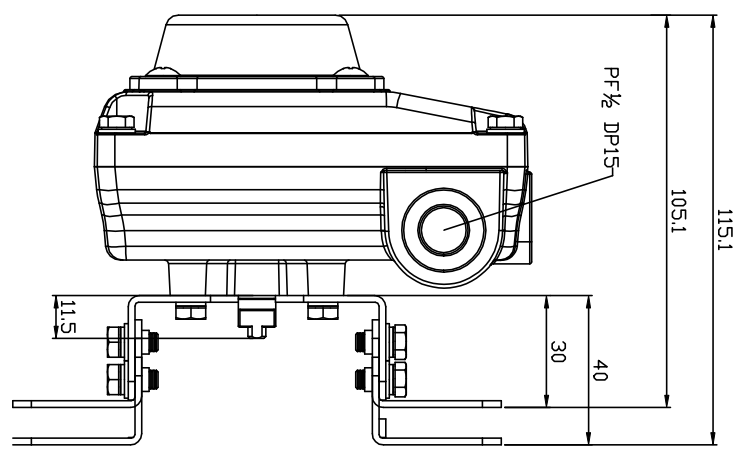
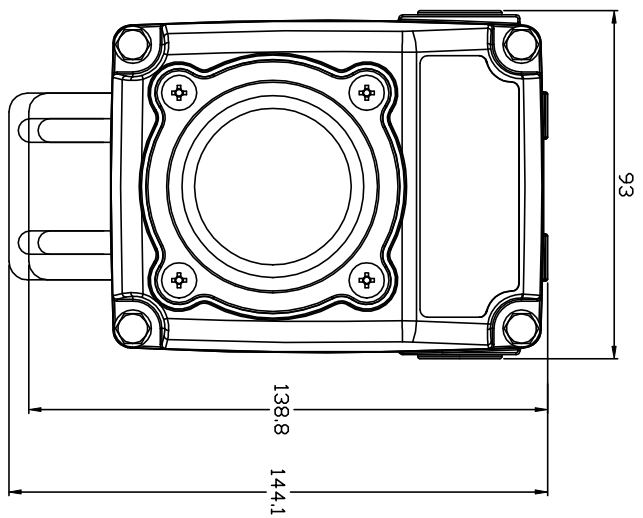


KLS10 + MB1 / Dimension



REV. NO.	REVISION DESCRIPTION	DRAWN / DATE	APPROVED / DATE
△	최초작성	노한기 / 230813	
△			

KOSAPLUS Co.,Ltd	
<small>KOSAPLUS</small>	
TITLE KLS10 + MB1 Dimension	
DRAWING NO. KLS10-0004	REV. 0