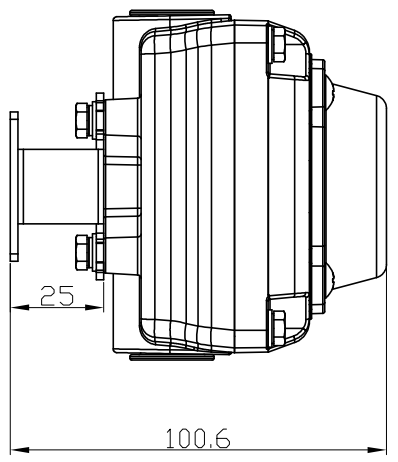
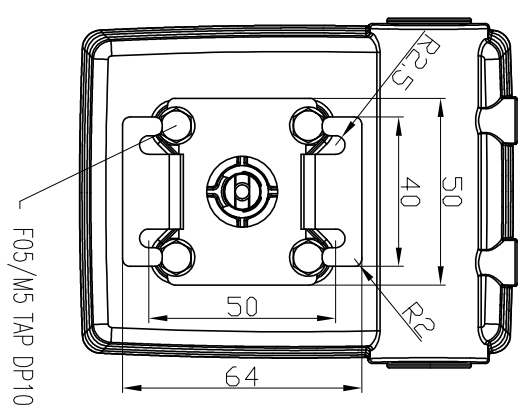
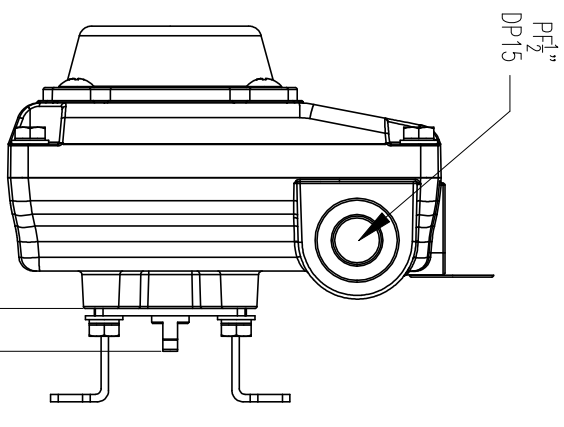
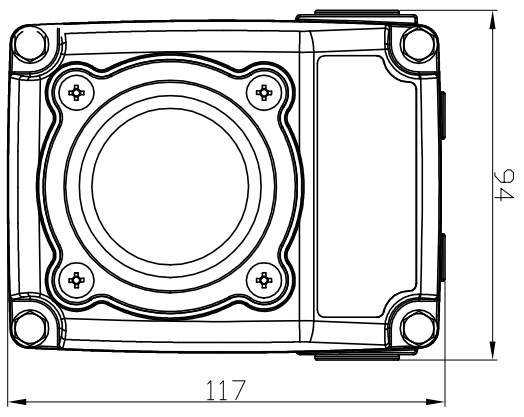


# KLS10 + BS1 / Dimension

REV. NO.	REVISION DESCRIPTION	DRAWN / DATE	APPROVED / DATE
△	최초작성	도환기/171108	
△			



<b>KOSAPLUS Co.,Ltd</b>	
<small>KORSA</small>	
TITLE KLS10 + BS1 Dimension	
DRAWING NO. KLS10-0001	REV. 0