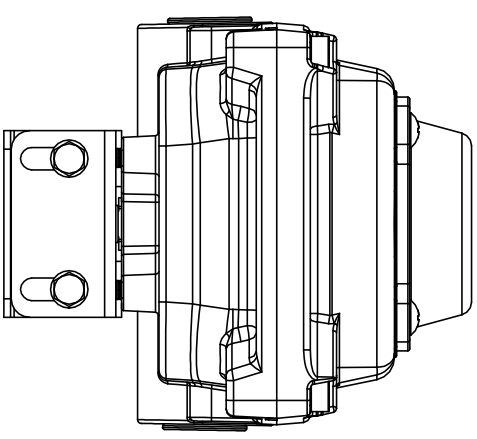
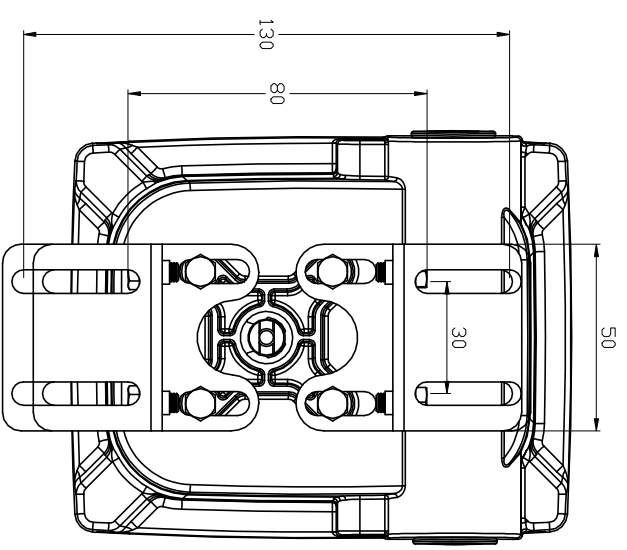
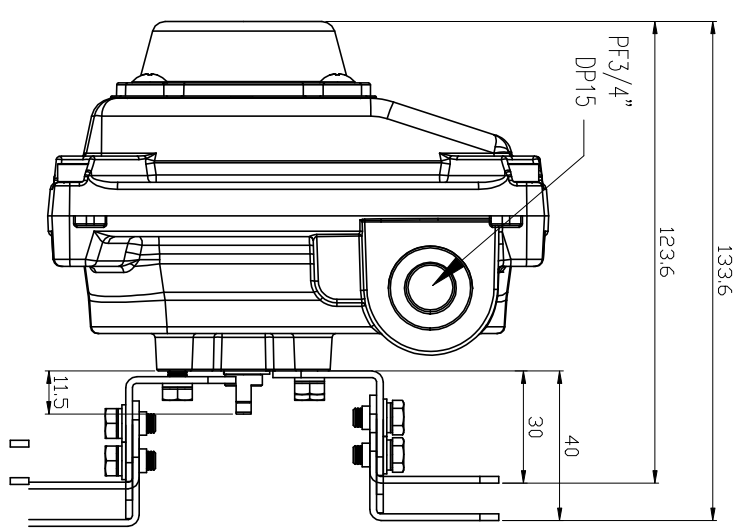
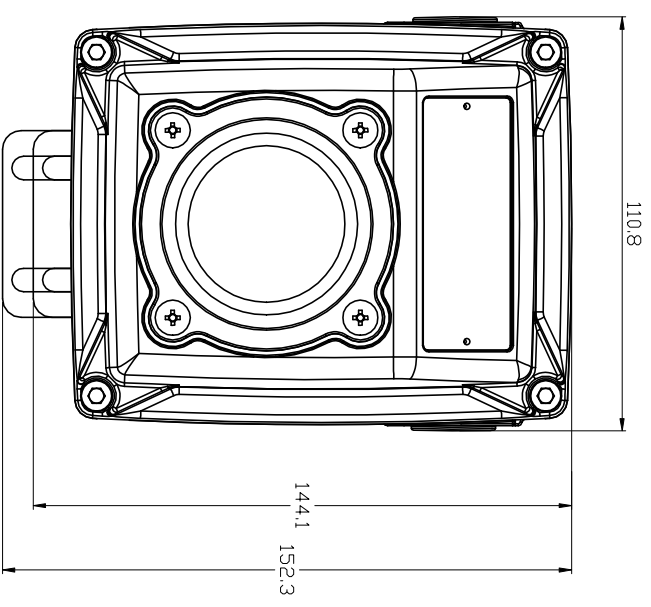


# KLS20 + MB1 / Dimension



REV. NO.	REVISION DESCRIPTION	DRAWN / DATE	APPROVED / DATE
△	최초작성	노한기 / 230813	

KOSAPLUS Co.,Ltd	
KORSA	
TITLE KLS20 + MB1 Dimension	
DRAWING NO. KLS20-0004	REV. 0