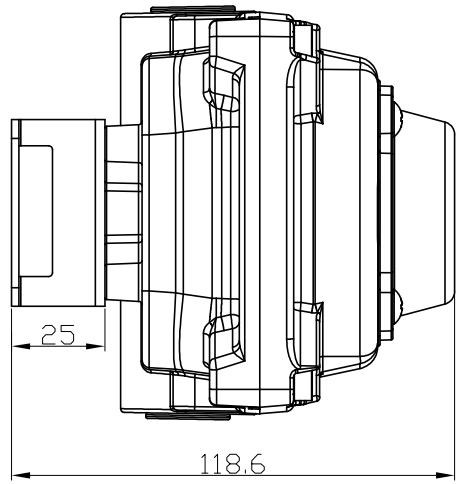
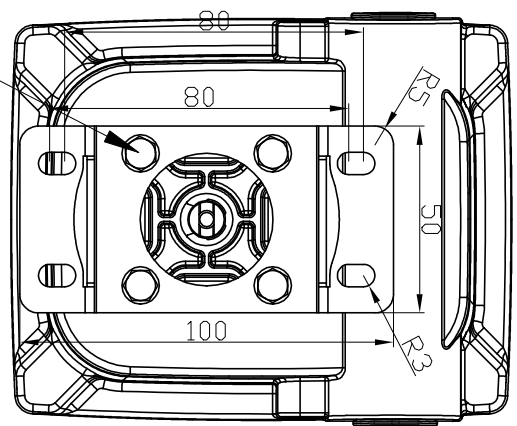
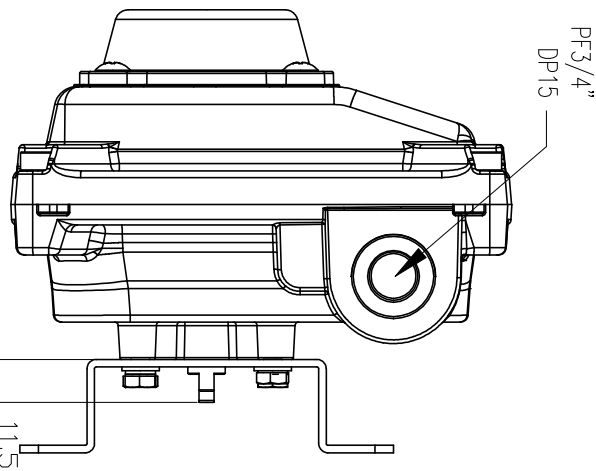
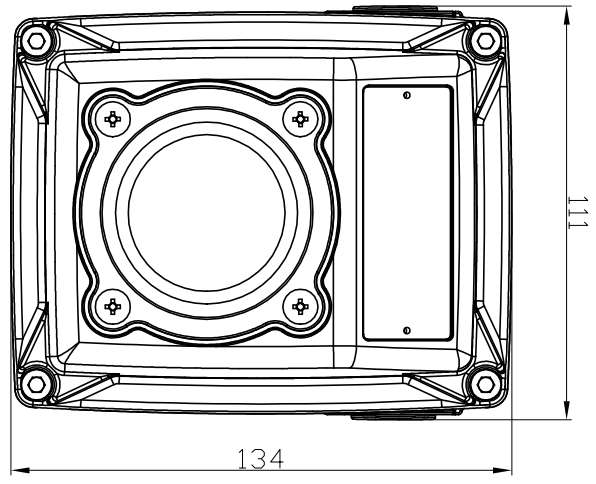


KLS20 + BS2 / Dimension

| REV. NO. | REVISION DESCRIPTION | DRAWN / DATE | APPROVED / DATE |
|----------|----------------------|---------------|-----------------|
| △ | 최초작성 | 노한기 / 2005.15 | |
| △ | | | |



| | |
|-----------------------|------------|
| KOSAPLUS Co.,Ltd | |
| KLS20 + BS2 Dimension | |
| DRAWING NO. | KLS20-0002 |
| REV. | 0 |