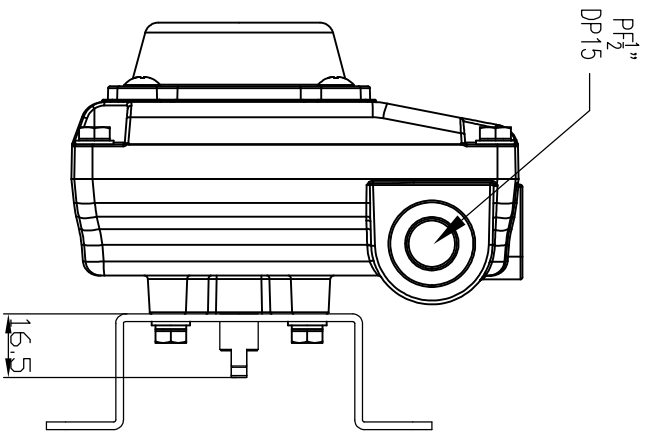
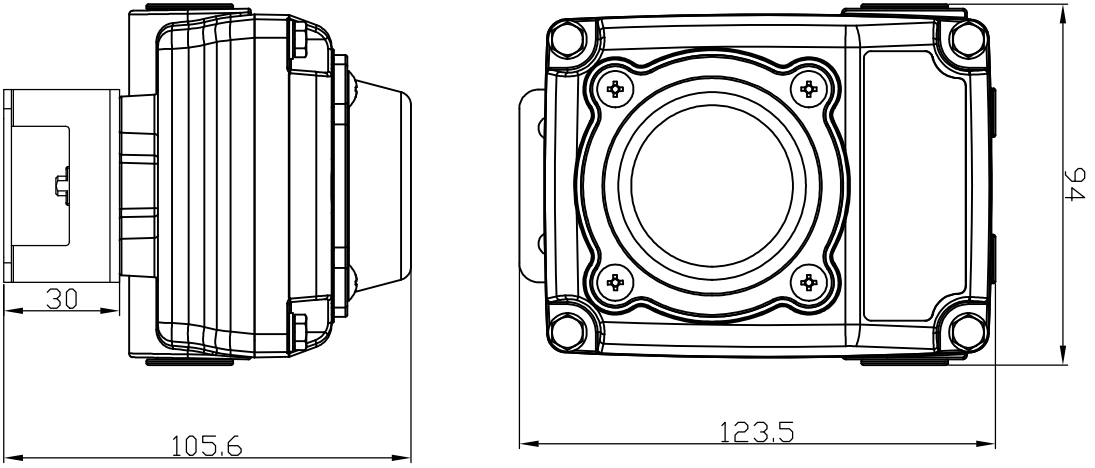
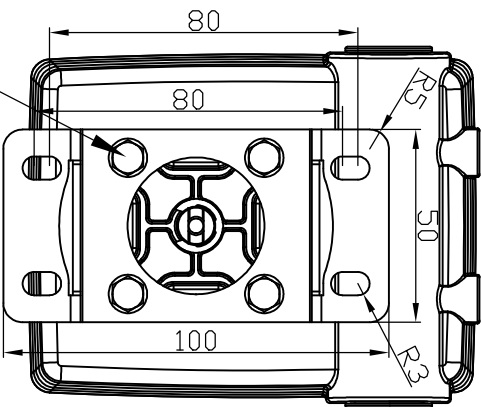


KL10 + BS4 + LS / Dimension



F05/M5 TAP DP10



REV. NO.	REVISION DESCRIPTION	DRAWN / DATE	APPROVED / DATE
△	최초작성	노한기 / 250205	
△			

KOSAPLUS Co., Ltd	
KOREA	
TITLE KL10 + BS4 + LS Dimension	
DRAWING NO. KL10-0003	REV. 0