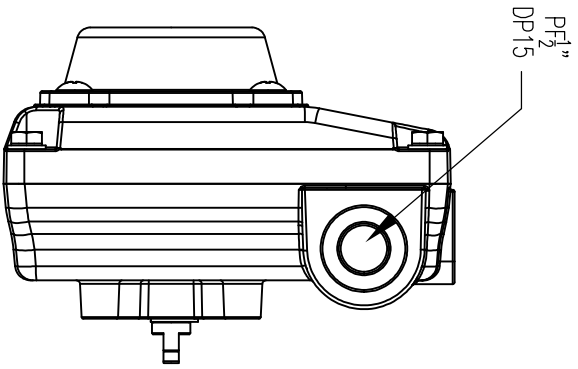
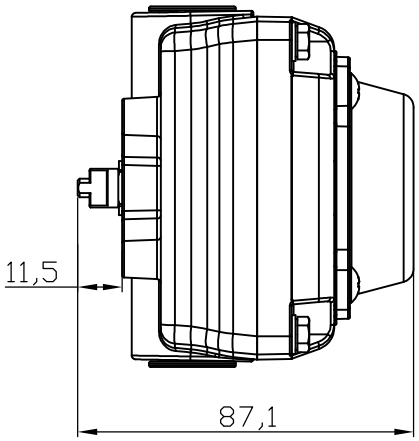
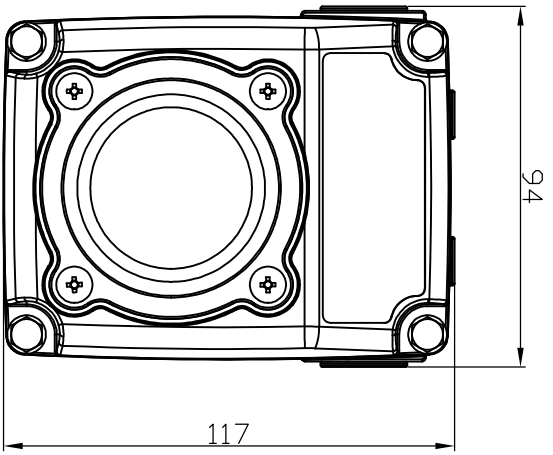
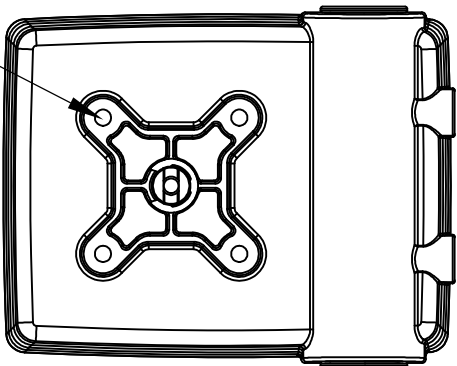


KL S10 / Dimension



PCD $\phi 50/4 \times M5$ TAP DP10



REV. NO.	REVISION DESCRIPTION	DRAWN / DATE	APPROVED / DATE
△	최초작성	노한기 / 170928	
△			

KOSAPLUS Co.,Ltd <small>KOREA</small>	
TITLE	KL S10 Dimension
DRAWING NO.	KL S10-0000
REV.	0